

muck-truck 

It doesn't cost the earth to move it!

PEDESTRIAN DUMPER MKIII

***OWNERS & OPERATORS
INSTRUCTION MANUAL***

Congratulations!

And thank you for purchasing a new muck-truck.

We have done our utmost to ensure your muck truck will be the most trouble free and productive machine you will ever use. Please read the operators manual carefully before using your muck truck.

If you would like help or have any questions.
Please have the following relevant information before you call us.

Date of purchase:

Serial number:

Dealer/Distributors name:

CERTIFICATE OF CONFORMITY

THE UNDERSIGNED OF DEESIGN PARTNERSHIP LIMITED
WE DECLARE THAT THE PEDESTRIAN DUMPER TRUCK

1. CATEGORY..... PETROL - HONDA 4 - STROKE - PEDESTRIAN DUMPER
2. MODEL..... **muck-truck.**

CONFORMS WITH THE ESSENTIAL HEALTH & SAFETY REQUIREMENTS
OF THE EEC DIRECTIVE
98/37/EC (edition L 207)
previously 89/392/EEC - 93/44/EEC AMENDMENT
Basic Noise Emission Standard – EN ISO 3744 - dB 97 Lwa

H.A.V.s

Machinery Directive 89/392/EEC.
The supply of (Safety) regulations 1992 (as amended:1994), for conformity
in a EU market

Left hand - idle - 2.79 m/s² racing- 4.95 m/s²
Right hand - idle- 3.10 m/s² racing- 5.86 m/s²

Specified testing unit to: ISO 8041, ISO 5349 and BS 6842
PLACE: UNIT 1C QUARRY CRESCENT, PENNYGILLAM INDUSTRIAL ESTATE, LAUNCESTEN PL15 7PF

YEAR OF MANUFACTURE - 2005

NAME & SIGNATURE OF TECHNICAL MANAGER DEESIGN PARTNERSHIP LIMITED



Terry Rowlands

HINTS FOR SAFE OPERATION

- DO*** Study engine manual before operating your **muck-truck**.
- DO*** Check all nuts, bolts, & wheel studs daily.
- DO*** Be safety conscious & dress appropriately when operating your **muck-truck**. Always wear substantial footwear and a hard hat in relevant areas.
- DO*** Exercise extreme caution with the controls when working on steep or slippery surfaces. Especially, when people are near to the working area.
- DO*** Ensure that all safety guards are in place when operating the **muck-truck**.
- DO*** Disengage drive by releasing clutch lever **before** operating gear change lever.

ATTENTION

- DO*** Handle fuel with extreme caution. Wipe off any spilled petrol before starting the engine.
- DO*** Keep the engine free of any accumulation of dirt, grease, oil or other flammable material.
- DO*** Allow the engine to cool before storing in a confined space.

BE SAFE : FOLLOW INSTRUCTIONS AT ALL TIMES

SAFETY

- DO NOT** Allow anyone lacking in age or experience to operate your **muck-truck**.
- DO NOT** Carry “passengers” on your **muck-truck**.
- DO NOT** Start work without completing the daily maintenance checks.
- DO NOT** Activate gear change lever until clutch lever is released.
- DO NOT** Operate the **muck-truck** without exercising appropriate safety precautions.
- DO NOT** Use other than recommended lubricants or fuels.

ATTENTION

- DO NOT** Refuel your engine when hot or in the vicinity of any naked flame or burning cigarette etc.
- DO NOT** Run the petrol engine in a confined area.
- DO NOT** Run engine with air filter clogged or restricted.
- DO NOT** Allow debris or any flammable or foreign matter to build up near the exhaust.
- DO NOT** Store the **muck-truck** in a location where fuel fumes may accumulate or reach a spark or open flame.
- DO NOT** Pressure wash directly onto engine electronics.

BE SAFE : EXERCISE COMMON SENSE AT ALL TIMES

OPERATING INSTRUCTIONS

Getting Started:

1. Fill tank with unleaded 4 stroke petrol
2. Set the machine on firm level ground and check fuel & oil levels
3. To start the engine set the choke by pushing the throttle lever fully forward. After 2 or 3 pulls the engine will start.
4. Move the throttle lever, (**No 4**) backward slightly to disengage the choke and set the engine speed to fast. Allow the engine to warm.

To Move Forward:

1. Select required speed with gear change lever (**6**). Hold down the brake handle. Gently engage clutch lever (**9**).
2. Control engine speed with the throttle lever (**4**)

To Reverse:

Stop the **muck-truck**. Move gear change lever (**6**) to position R (reverse), check behind for obstacles, and then gently engage clutch (**9**).

To Stop:

Release the clutch lever. Disengage the brake handle. Reduce engine speed with the throttle control lever.

To Empty Skip:

1. Stop the machine and disengage the skip release lever (**10**)
2. Jerk both handles upwards; the skip will pivot forward and dump the load with gravity force.

To Reset Skip:

Pull back on the skip and engage the locking catch which holds the skip closed.

NOTE: Check that the locking catch has engaged before moving off.

MAINTENANCE

For Engine Maintenance, Please see your Engine Manual

Routine checks of your **muck-truck** will ensure trouble free operation with less 'down' time.

Component	Daily	Weekly
Skip Catch Spring	✓	
Belt tension	✓	
Brake adjustment	✓	
Control Cables	✓	
Air Cleaner	✓	
Engine Oil Check	✓	
Tyre Pressure		✓
All Nuts/Bolts		✓

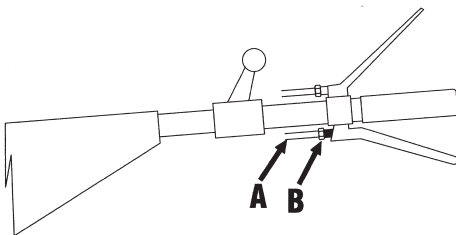
Engine Oil: SAE 10W-30

Change: After 1st 2hrs; thereafter every 20 hrs of continuous use

Remember - A daily check takes only minutes but could save you hours.

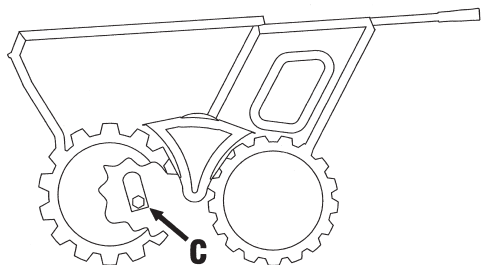
Be Proud - look after your **muck-truck**.

TO ADJUST BELT



**LOOSEN 8mm NUT B.
TURN A COUNTER CLOCKWISE TO
TIGHTEN BELT.
RETIGHTEN B.**

TO ADJUST PARKING BRAKE



**TURN NUT C CLOCKWISE
TO TIGHTEN BRAKE.
CHECK EVERY MONTH.**

WARRANTY

muck-truck SERIAL NO-

12 Calendar months from date of sale for Consumers

90 Days for units used in the Commercial sector

Under the following conditions:-

- Routine maintenance undertaken in accordance with Owners Manual
- Returned defective parts are approved by Deesign Partnership Ltd.
- Machine is not abused or operated with known faults or lack of maintenance.
- Repairs are in accordance with Deesign Partnership Ltd.

AT AN AGREED JOB RATE

Only defective parts are covered & not wearable components which necessitate replacement through normal wear & tear, i.e. puncture, chipped paint, dented hopper etc. Deesign Partnership Ltd will not be held liable for any consequential losses.

PERSONAL CUSTOMER GUARANTEE STATEMENT

If there is any component, or components, manufactured by Deesign Partnership Ltd which are found to be defective within 12 months from the date of purchase (or 90 days in the case of a machine used for hire/commercial purposes), Deesign Partnership Ltd undertake to replace the faulty component/s free of charge, (provided they are notified immediately upon date of failure).

The following are not covered by this Guarantee

1. Engines - which are guaranteed by their respective manufacturers
2. A machine which has been subject to operation in excess of recommended capacities, misuse, negligence or accident, or has been altered or modified in a manner which has not been authorised by Deesign Partnership Ltd.
3. Wear parts, e.g. belts, cables etc.
4. Transportation Charges - to and from the warranty repair site

Deesign Partnership Ltd operates a policy of continual development and reserve the right to alter product specification without giving prior notice.

SPARE PARTS LIST

Part No.	Description	Part No.	Description
DP02	Forward/Reverse Lever Grip	MT 03011	Forward/Reverse lever
DP03	Handle Bar Grip	MT 03010	Handle Bar Cowling
DP14	Honda engine	DP0502004	Skip Catch
DP18	Clutch/Skip Cable Spring	MT 03034	6 cu ft skip
DP21	Transaxle	MT 03002	Main Frame
DP24	Front Wheel complete	MT 03008	Bottom Plate
DP30	Rear wheel	MT 03019	Power Drive Bracket
DP31	Lynch Pin	DP0502009	Left/Right Torque Stays
DP32	25mm Star lock	DP0502012	Clutch Reinforcement Plate
DP35	Decal Set	MT 03072	Forward/reverse tie rod
DP45	4" wheel	DP0502014	Skip Catch lever
DP54	Gear change grommet	DP0502015	Clutch Lever
DP80	Front wheel Plastic Cap	DP0502016	Brake Lever
DP83	19mm Star lock	DP0502017	Clutch/Skip Cable
DP05041	Wheel Hub	DP0502017.1	Brake Cable
DP87	Throttle lever c/w Cable	DP0502018	Drive belt
DP04001	Drive Pulley	DP0502019	Belt Guide Tube
DP04002	Engine Pulley	DP0502021	Clutch pulley bracket
DP04003	Clutch Pulley	DP05023	Shifter Plate

Engine information on -

www.honda-engines-eu.com

Transmission information on -

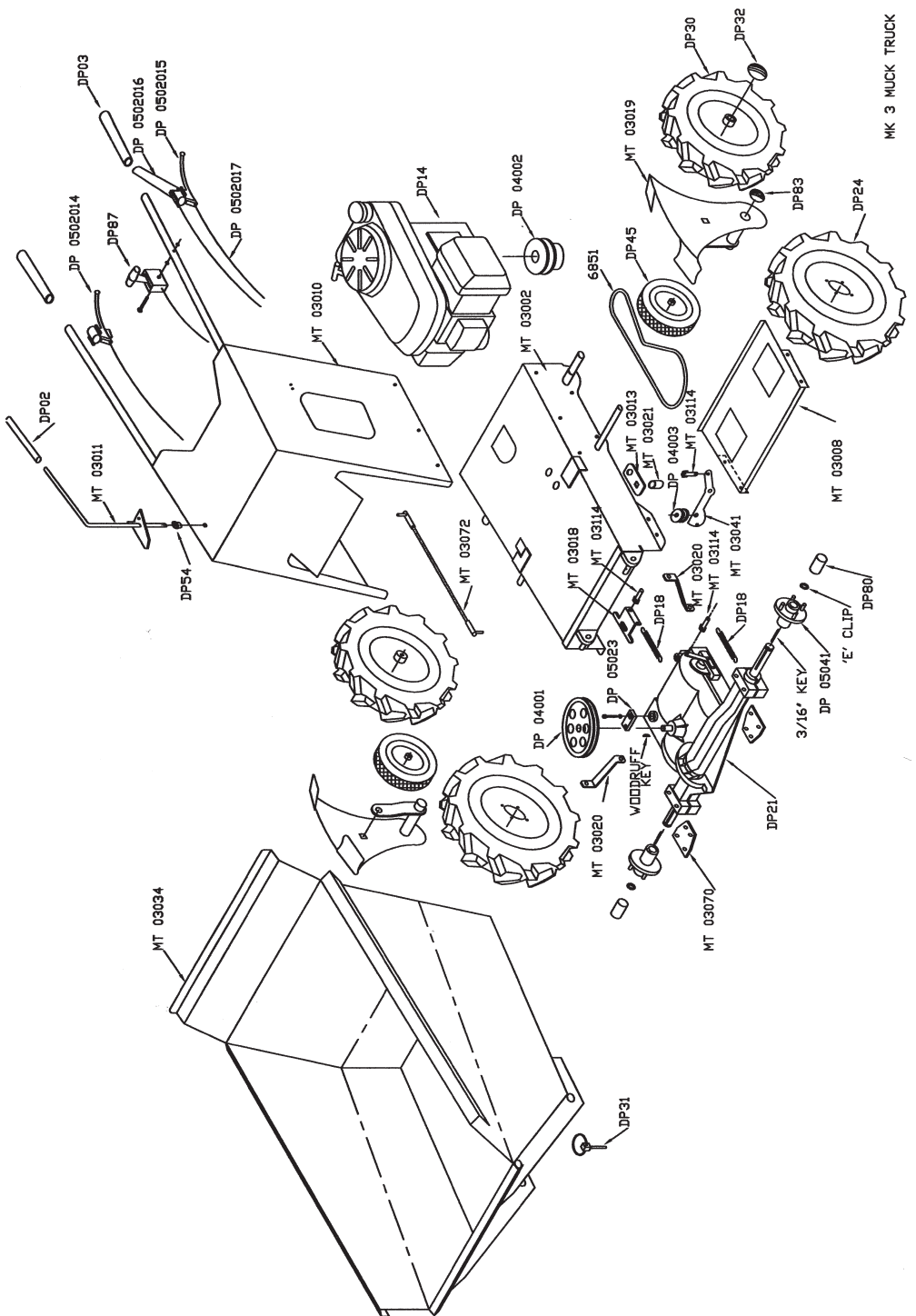
www.tecumseh.com

Tyre Pressures

Front Wheel 30 psi

Middle Wheel 30 psi

Rear Wheel 30 psi



MK 3 MUCK TRUCK

MKIII Muck-Truck Belt Fitting

Remove the inspection plate located within the chassis below the engine.

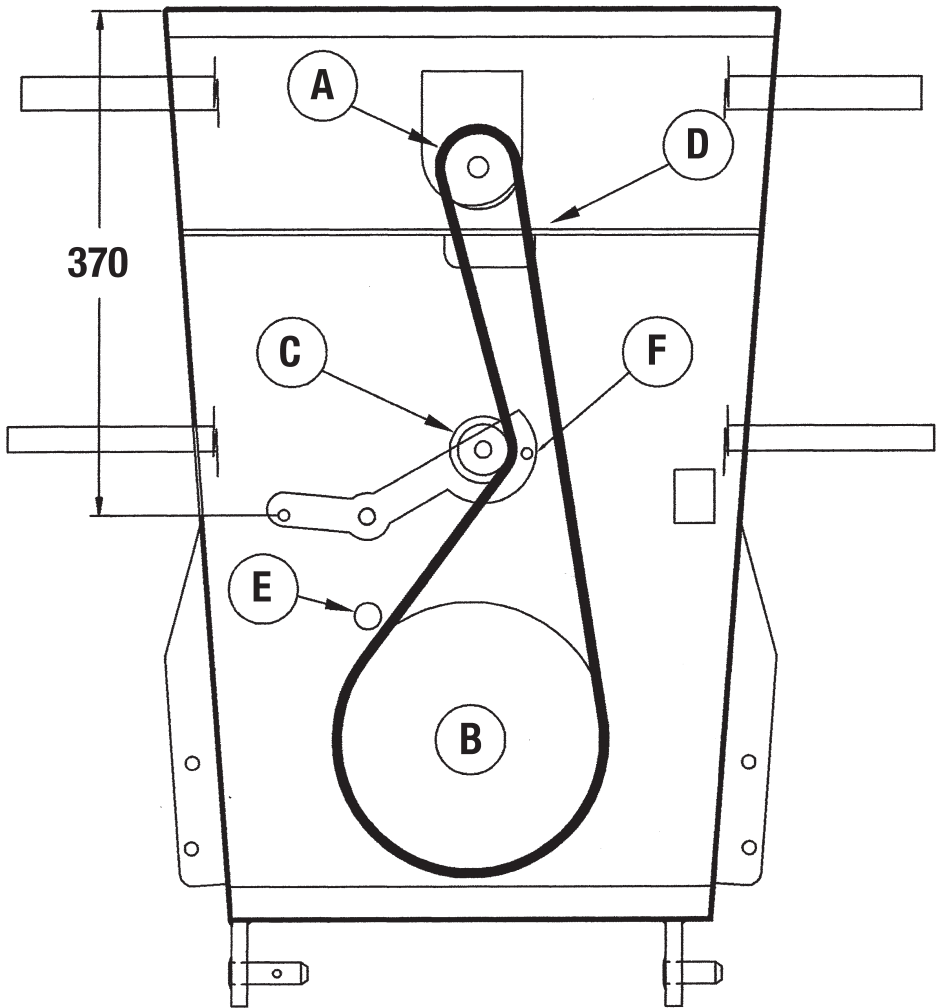
1. Slacken the nut on the top of the belt guide tube (E)
2. Make sure that the belt goes round the transmission pulley (B) first
3. Then put the belt to the right hand side of the clutch/jockey pulley (C) which pushes at the back of the left hand side of the belt (flat side)
4. Make sure the belt is located through the slot in plate (D) refit the nut and bolt through hole (F). Push the belt over the transmission pulley (A)
5. Re-tighten the nut on the top of the belt guide tube (E)

1.



2.







DESIGNED AND MANUFACTURED BY:

**DEESIGN PARTNERSHIP LIMITED
UNIT 1C QUARRY CRESCENT, PENNYGILLAM INDUSTRIAL ESTATE
LAUNCESTEN PL15 7PF
UNITED KINGDOM**

**Tel: +44 1566 777140 or 0845 8385480
Fax: +44 1566 777706 or 0845 8385481
Mobile: 07710 464398**

**www.mucktruck.com
Email: info@mucktruck.com**